

INSTALLATION INSTRUCTIONS

DESCRIPTION: Rear Seat Cowl Kit
PART NUMBER: 1WD-F47F0-xx (various colors)
MODEL: YZF-R3



⚠WARNING

Please read and understand these instructions completely before installation to avoid possible injury, or damage to the accessory or vehicle.

⚠WARNING

Do not carry a passenger if this accessory Seat Cowl Kit is installed.

WARRANTY INFORMATION:

Yamaha Genuine Accessories are covered by a one-year limited warranty against defects in material or workmanship. Labor for replacement of defective components is not covered. See your Yamaha dealer for a copy of the warranty statement.

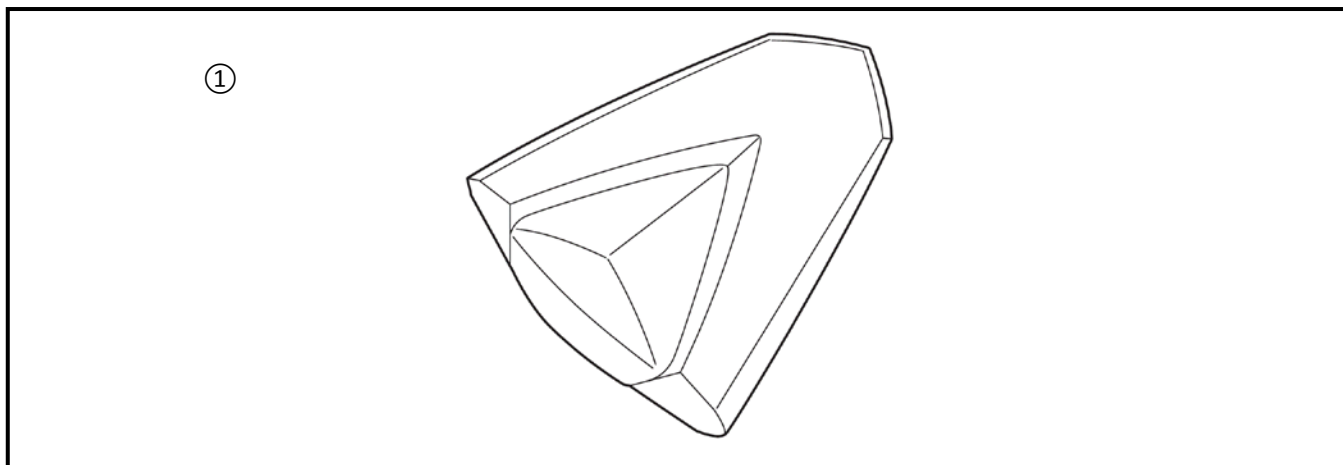
DEALER OR INSTALLER:

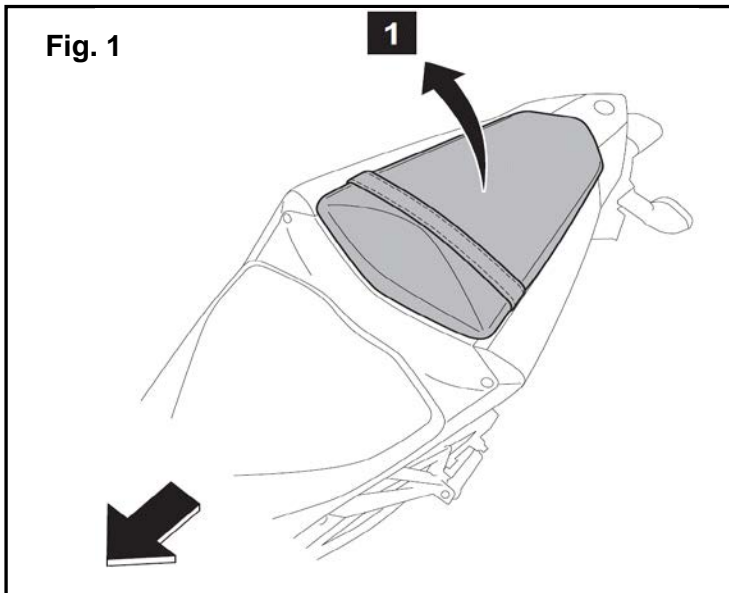
These instructions contain important information for future reference and *must* be given to the customer.

PARTS LIST:

No.	Part Number	Description	Qty
--	1WD-F47F0-xx	Rear Seat Cowl Kit	--
①	*	Seat Cowl	1

* Part supplied with kit only and not available separately.



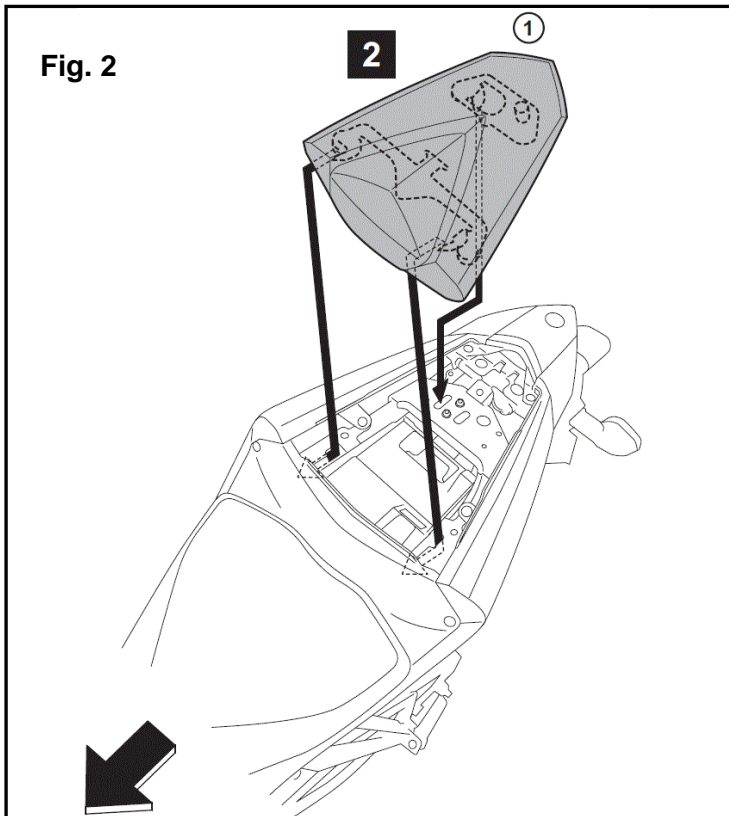


PREPARATION:

- Stand motorcycle on a secure and level surface.
- Clean all mounting surfaces before beginning installation.

INSTALLATION:

- 1** Remove the stock rear seat. Insert the key into the seat lock, turn to open the lock, and remove the seat as shown in Fig. 1.
- 2** Install the Seat Cowl ① to the motorcycle. Set the two forward tabs into the mount slots as shown in Fig.2. Press down to seat the rear hook loop into the lock.



MAINTENANCE:

Periodically, check torque on all hardware. If loose hardware is found, re-torque to specification.

CARE AND CLEANING:

Clean seat cowl with a clean soft cloth and mild soap and water. Rinse and dry.

CUSTOMER SERVICE:

For further information see your Yamaha dealer.

ESTIMATED TIME TO INSTALL: 0.1 HRS.